

PRACTICAL EXAMPLES AND WIRING DIAGRAMS

Diagrams and examples of applications

SETTING UP A SMALL HOME DATA NETWORK

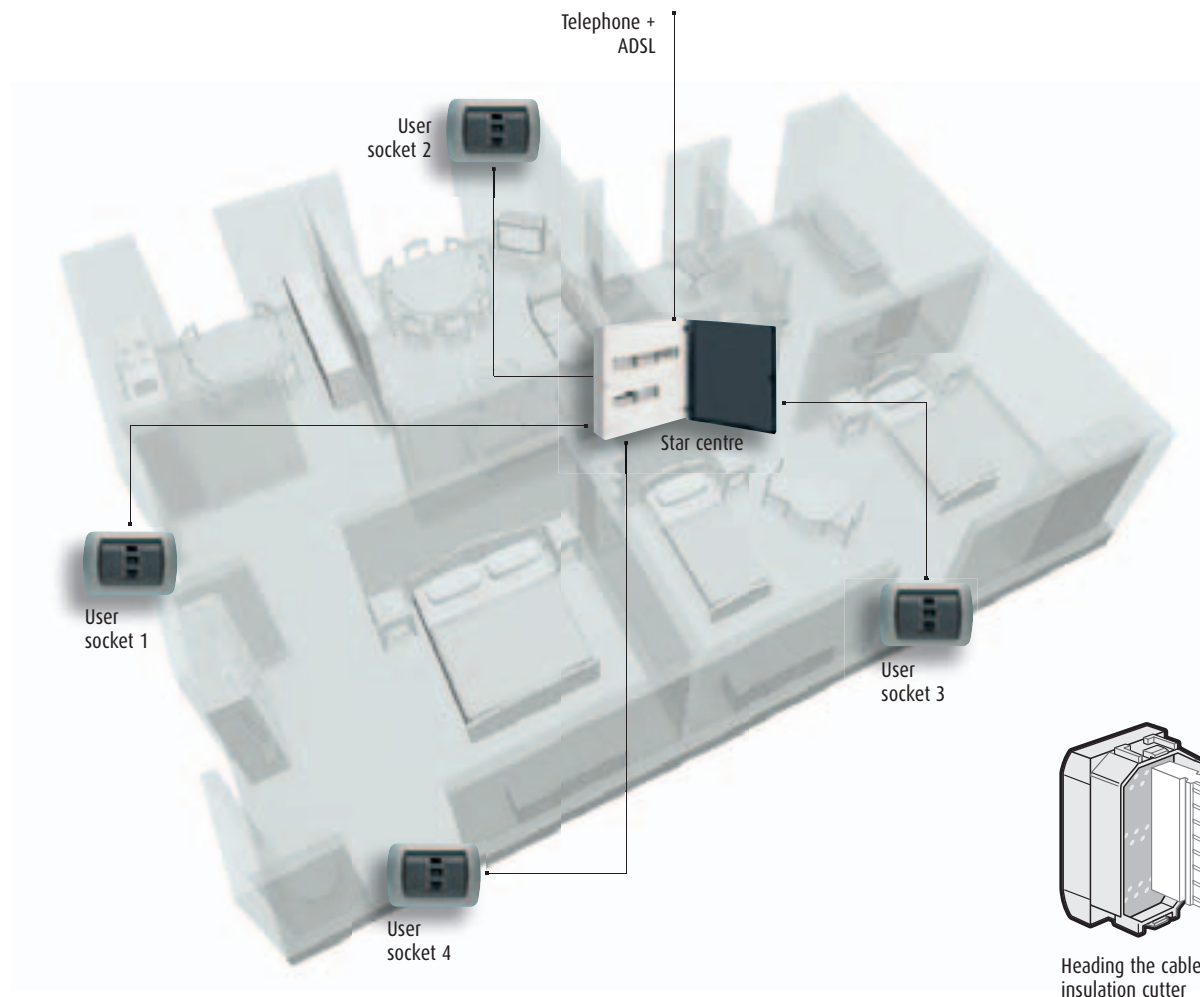
The diagram shown below applies to a home with 4 rooms in which the telephone service is already distributed and we want to make a small data network to share the computer and peripherals and also have access to Internet via the ADSL line. The star centre must be made taking account of the rules given in the previous chapters. This type of system requires the following devices.

Legend

Description	Item	No. of DIN mod.	Quantity
Power supply	346000	8	1
ADSL Modem router	F444	6	1
10/100Mbit/s switch	C9455	6	1
Adapter for connectors	F400A	4	2
Multifunction connectors	L/N/NT4270	-	8
Patch cords	L4668D/30	-	5
Unit/board	F215P/36D3	36	1
Cat. 5 UTP cable	L4668CM	-	305m*

* The cable is supplied with this minimum length, use as much as is needed.

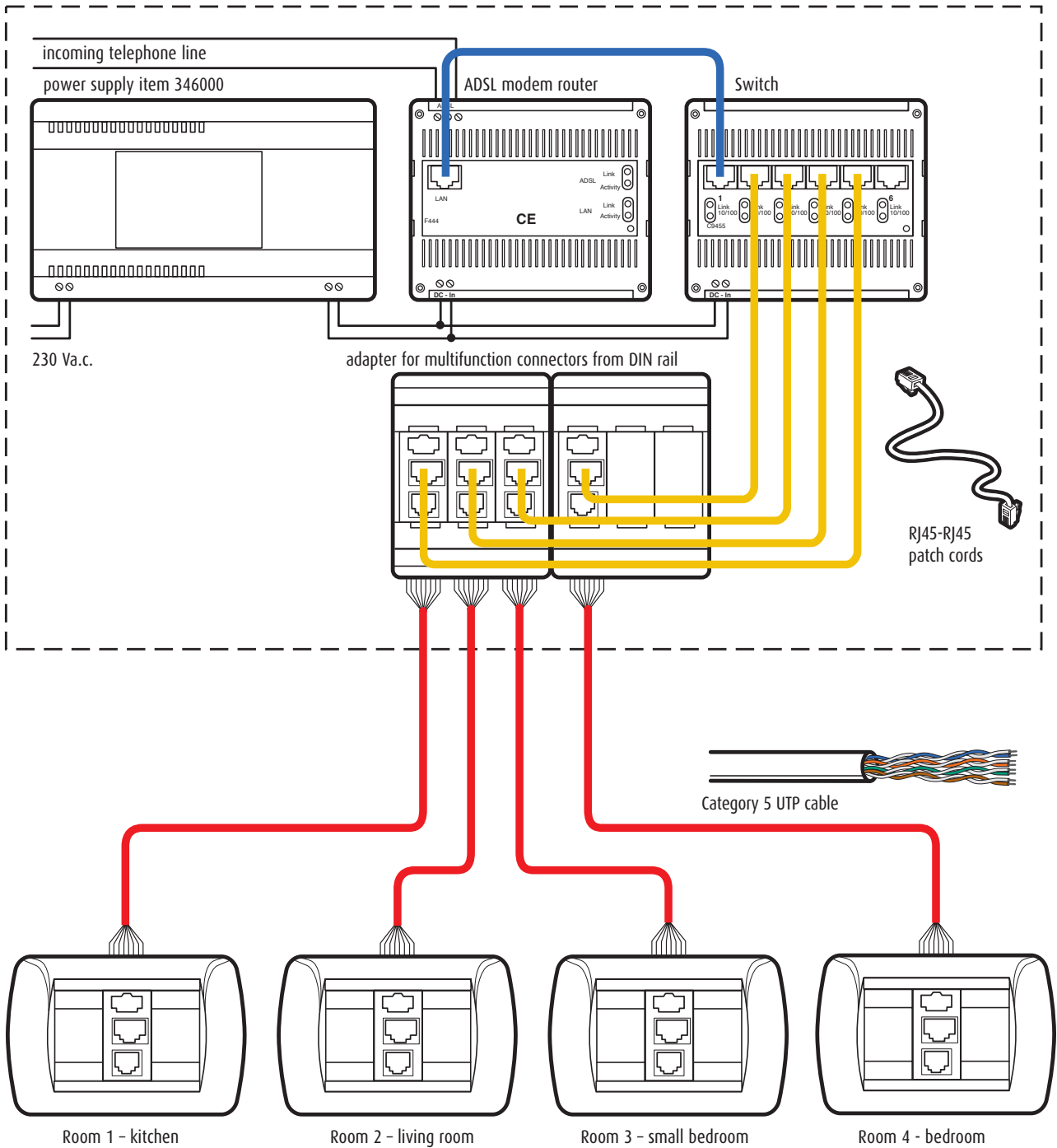
The UTP cable from the star centre to the user point distribution in the 4 rooms must be headed on the back of the multifunction connectors. Using multifunction connectors in the various user sockets guarantees maximum flexibility if the system is developed or expanded in the future.



Data diagram

DIAGRAM 1 HOME WITH 4 ROOMS AND SETTING UP A SMALL HOME DATA NETWORK

Star centre



Diagrams and examples of applications

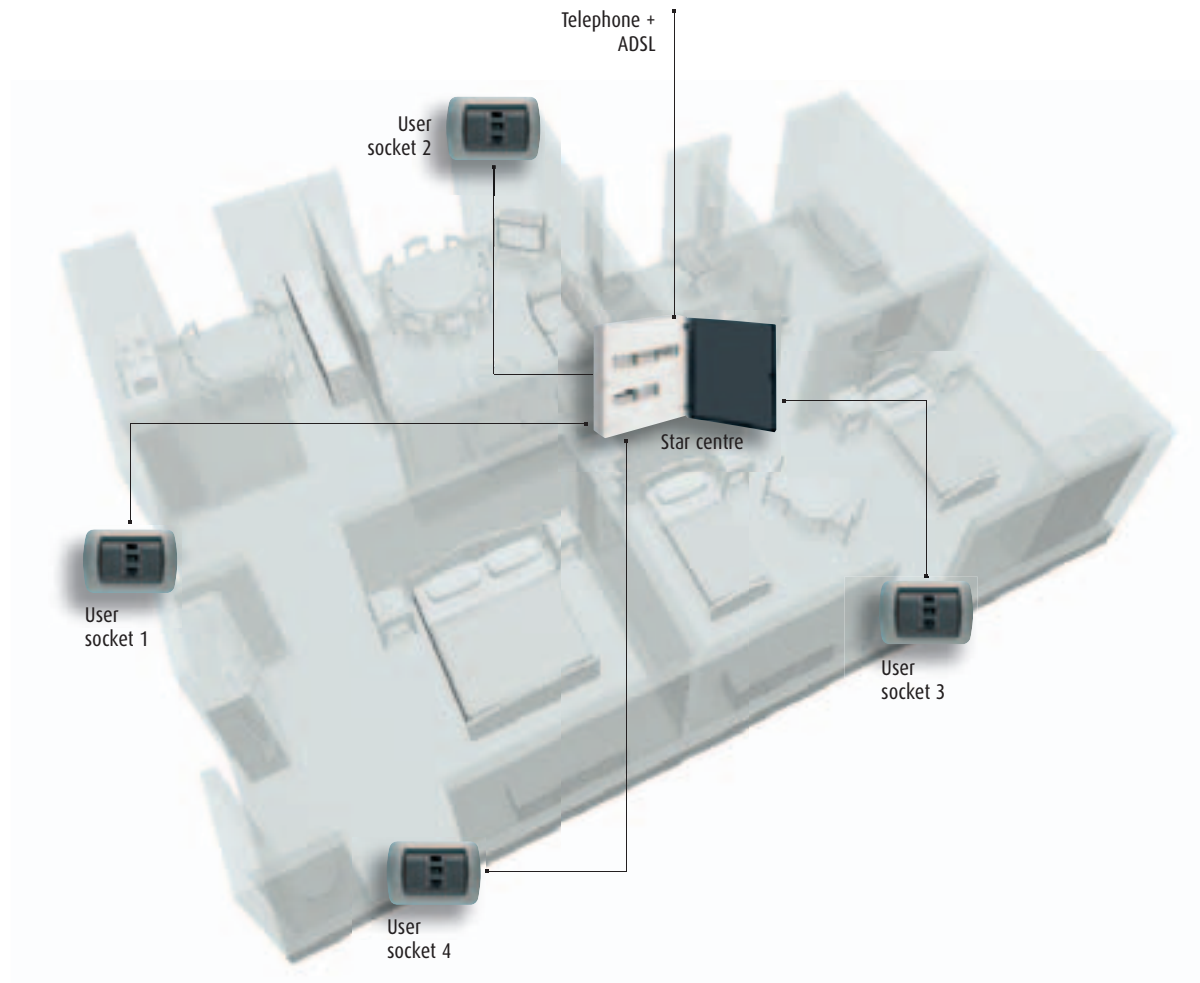
SETTING UP A HOME DATA NETWORK AND TELEPHONE DISTRIBUTION

The diagram shown below proposes the application of the previous diagram adding the telephone service star distributed in all the rooms. In this case the telephone distribution is obtained automatically. The modifications are at star centre level where an extra ADSL filter and extra RJ11 connectors must be fitted.

Legend

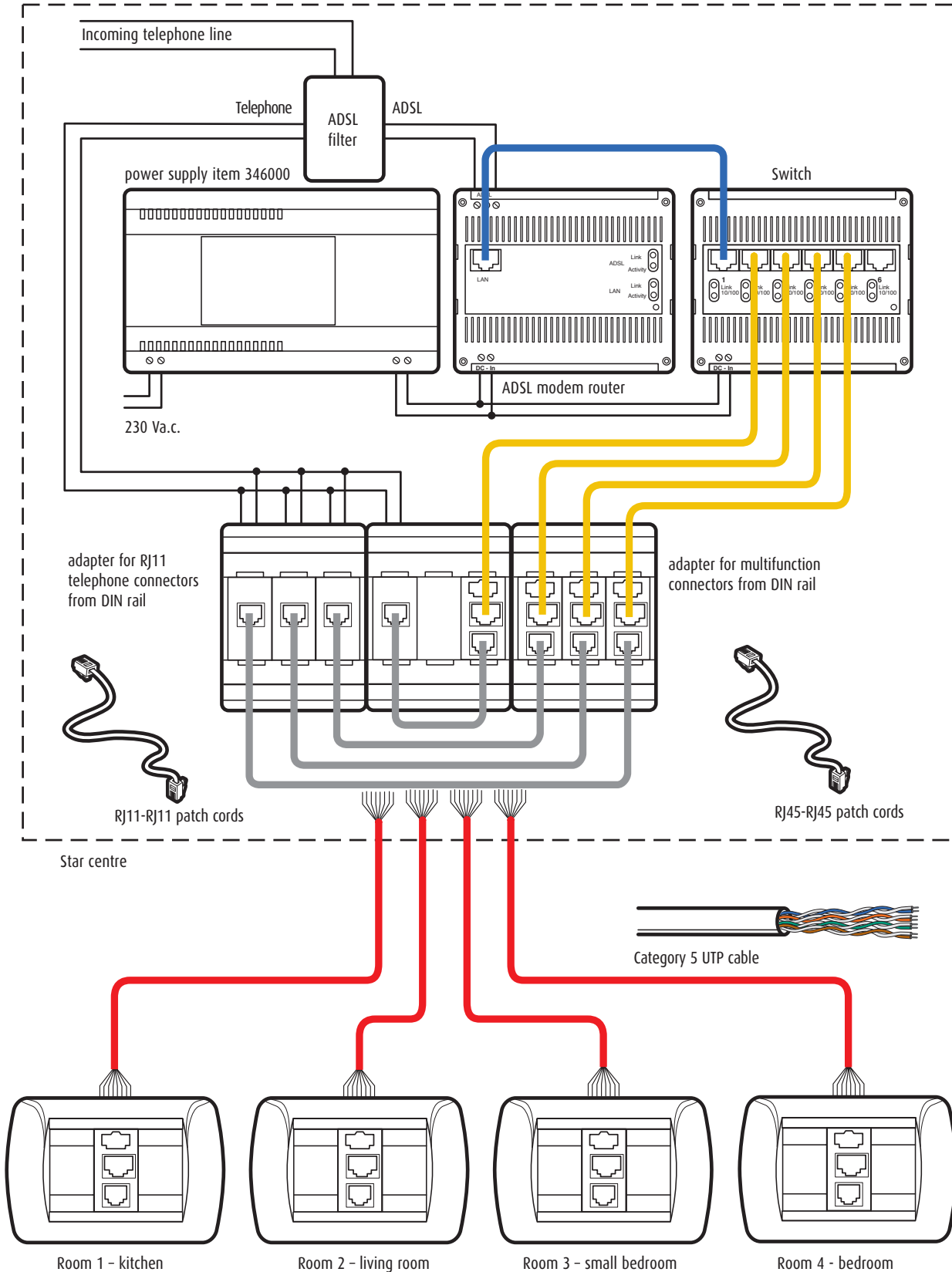
Description	Item	No. of DIN mod.	Quantity
Power supply	346000	8	1
ADSL Modem router	F444	6	1
10/100Mbit/s switch	C9455	6	1
Adapter for connectors	F400A	4	3
Multifunction connectors	L/N/NT4270	-	8
RJ11 connectors	L/N/NT4262/11	-	4
Patch cords	L4668D/30	-	5
Patch cords	L4668T/30	-	4
Unit/board	F215P/36D3	36	1
ADSL filter	S2609	-	1
Cat. 5 UTP cable	L4668CM	-	305 m*

* The cable is supplied with this minimum length, use as much as is needed.



Data and telephone diagram

DIAGRAM 2 HOME WITH 4 ROOMS AND SETTING UP A SMALL HOME DATA NETWORK



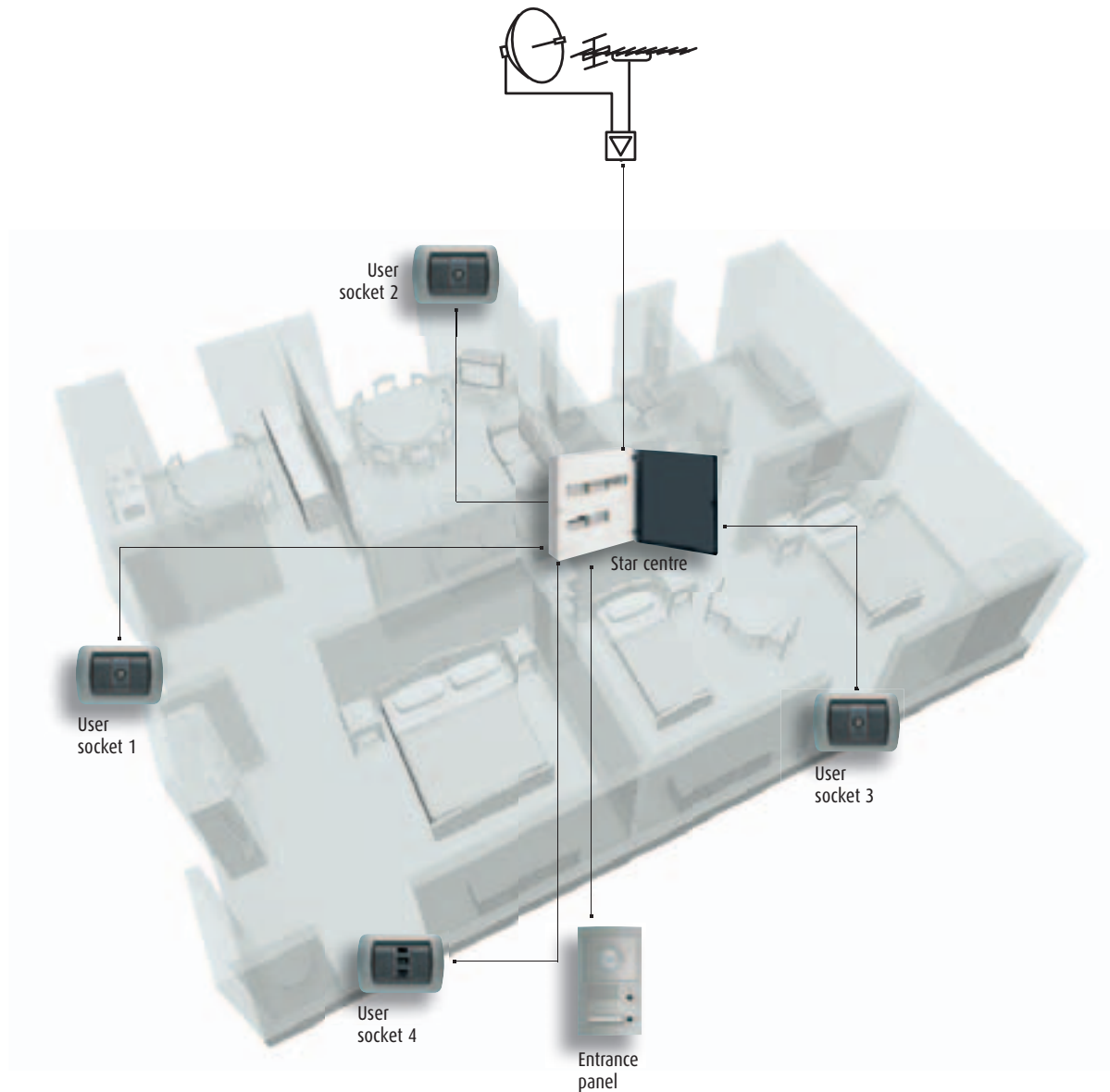
Diagrams and examples of applications

DISTRIBUTION OF THE TV+SAT SIGNAL AND COMBINATION WITH THE 2-WIRE VIDEO DOOR ENTRY SYSTEM

The diagram shown below shows the possibility of distributing the TV+SAT signal in the 4 rooms and being able to see a caller from a 2-wire door entry system entrance panel on the TV. This application can be produced simply by installing a TV HUB and a 2-wire BUS modulator in the star centre.

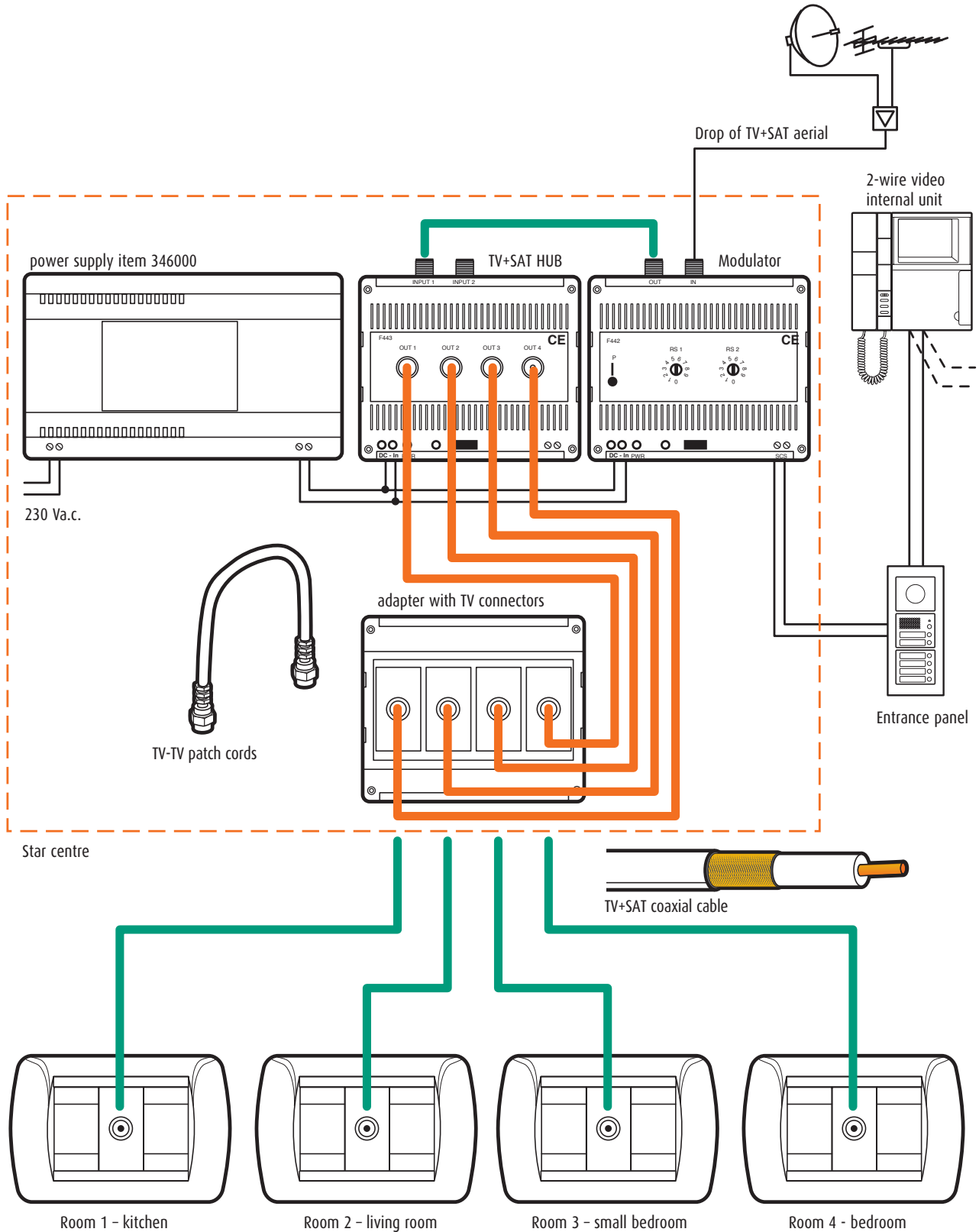
Legend

Description	Item	No. of DIN mod.	Quantity
Power supply	346000	8	1
TV HUB	F443	6	1
2-wire BUS modulator	F442	6	1
Adapter for connectors	F400A	4	2
Type F TV connectors	L/N/NT4269F	-	4
Shunted TV connectors	L/N/NT4202D	-	4
Patch cords	L4668TV/30	-	5
Unit/board	F215P/36D3	36	1
Coaxial cable	-		as much as is needed



TV + video internal unit diagram

DIAGRAM 3 HOME WITH 4 ROOMS DISTRIBUTION OF THE TV+SAT SIGNAL AND COMBINATION WITH 2-WIRE VIDEO DOOR ENTRY SYSTEM



Diagrams and examples of applications

SOUND SYSTEM COMBINED WITH VIDEO DOOR ENTRY SYSTEM AND DATA AND TELEPHONE NETWORK

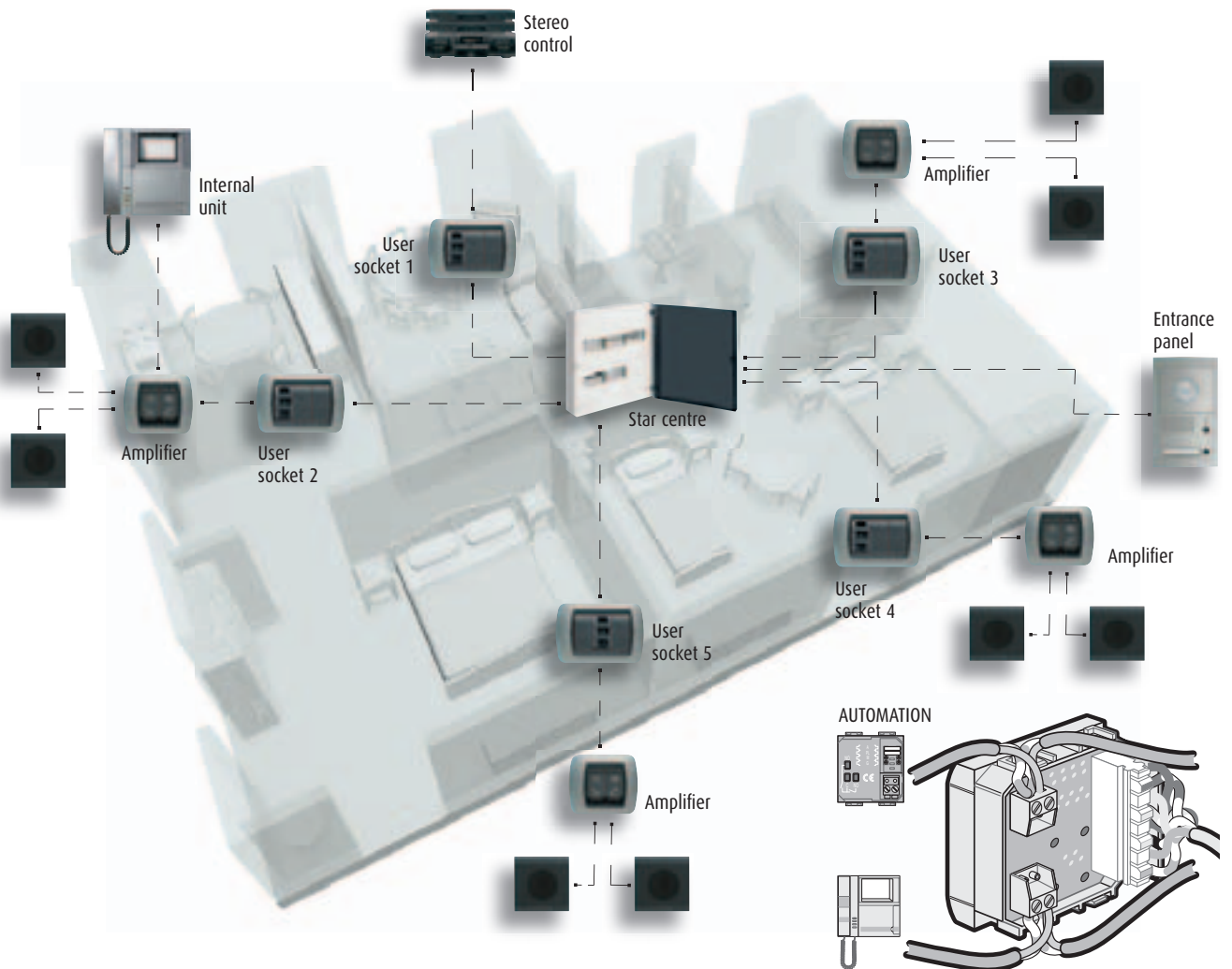
This diagram shows the possibility of setting up a combined system with star distribution of the My Home sound system and a 2-wire door entry system with the extra distribution of the telephone in all the rooms and setting up a small home data network. For this type of system the following components must be installed.

The multifunction plus connectors are installed in the user sockets distributed in the rooms, to guarantee correct combination between the sound systems and 2-wire video door entry system with in/out connection as shown in the figure. This type of connection should not be confused with the star distribution provided for the multimedia wiring which is functional between star centre and user sockets.

Legend

Description	Item	No. of DIN mod.	Quantity
Power supply	346000	8	1
Audio video node	F441	6	1
ADSL Modem router	F444	6	1
10/100Mbit/s switch	C9455	6	1
Adapter for connectors	F400A	4	3
Multifunction connectors	L/N/NT4270	-	6
Plus multifunction connectors	L/N/NT4270P	-	4
RJ11 connectors	L/N/NT4262/11	-	4
Patch cords	L4668BUS/35	-	5
Patch cords	L4668D/30	-	5
Patch cords	L4668T/30	-	4
Unit/board	F215P/54D	54	1
ADSL filter	S2609	-	1
Cat. 5 UTP cable	L4668CM	-	305 m*

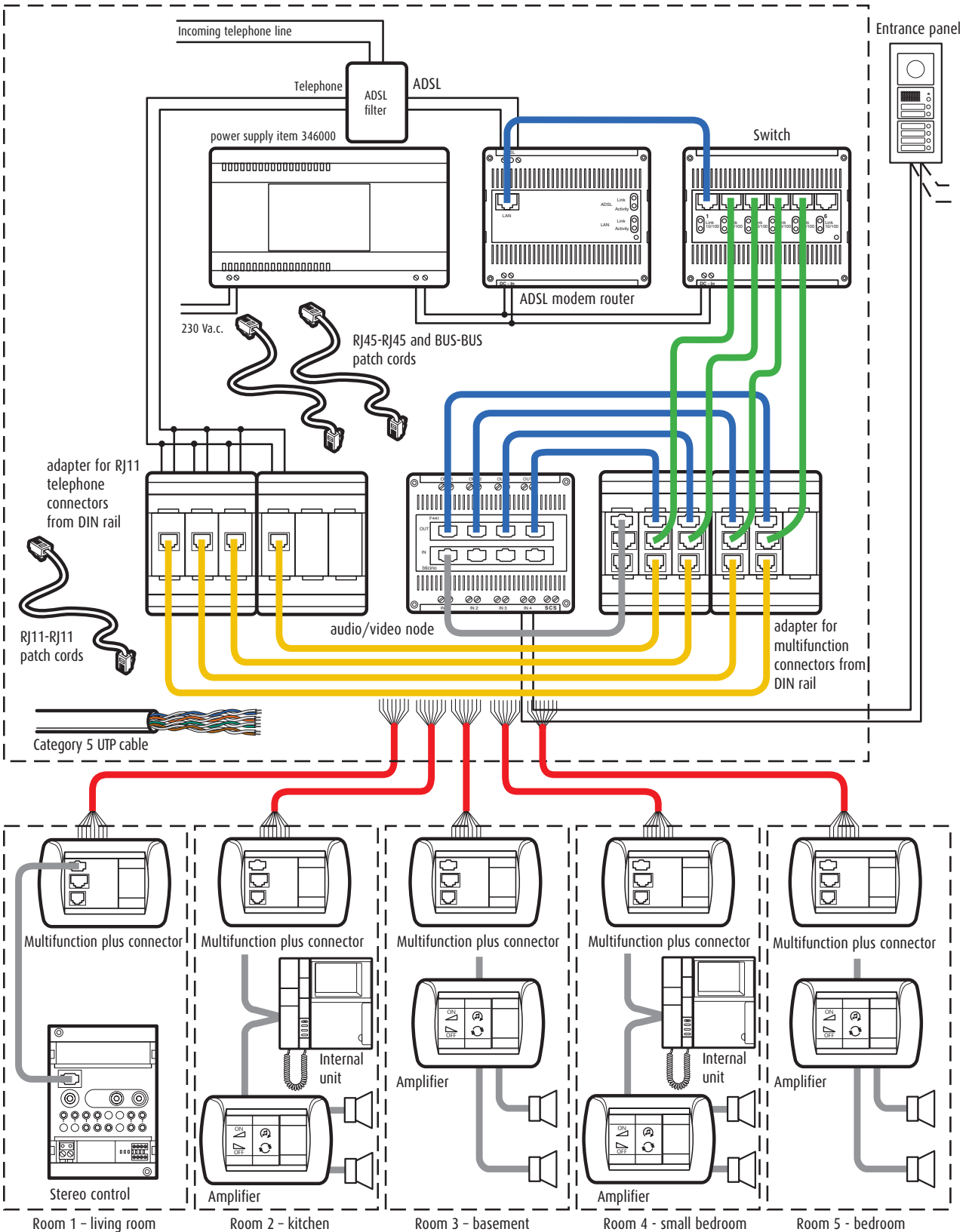
* The cable is supplied with this minimum length, use as much as is needed.



VIDEO DOOR ENTRY SYSTEM
 Heading the UTP cable on user socket and in/out connection to combine sound system and video door entry system

Sound system + video internal unit diagram

DIAGRAM 3 HOME WITH 4 ROOMS COMBINATION OF THE SOUND SYSTEM WITH 2-WIRE VIDEO DOOR ENTRY SYSTEM AND DISTRIBUTION OF THE TELEPHONE AND DATA





BTicino SpA
Via Messina, 38
20154 Milano - Italia
www.bticino.com

The company reserves at any time the right to modify the content of the present booklet.